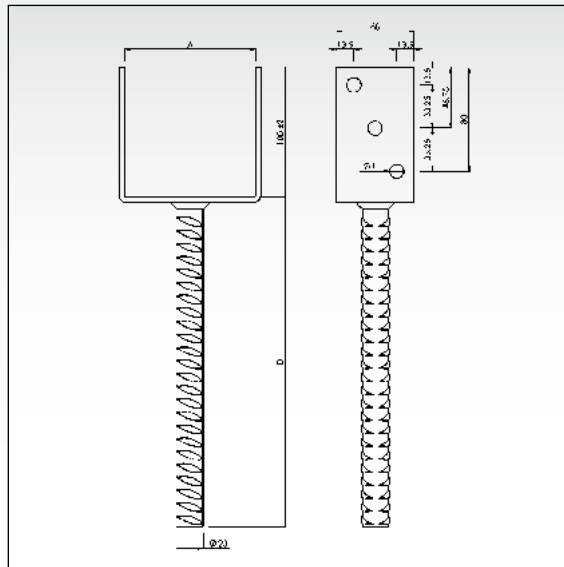


## COLUMN BASE TYPE U-60 IN CONCRETE

Art. No.	Dimensions [mm]			EAN	Weight	PU
	A	D	C			
19800201	71	∅ 20x250	60	4019346	kg	15
19800203	81	∅ 20x250	60	500439	1.100	15
19800204	91	∅ 20x250	60	500453	1.130	15
19800205	101	∅ 20x250	60	500460	1.150	15
19800205	101	∅ 20x250	60	500477	1.170	10
19800206	121	∅ 20x250	60	500484	1.240	10
19800207	141	∅ 20x250	60	500491	1.280	10

Surface: hot-dip galvanised  
 Fixing with: TOP-FIX DUO screw (see pag e 109)



Hole pattern can vary



## COLUMN BASE TYPE L-60 IN CONCRETE

Art. No.	Dimensions [mm]			EAN	Weight	PU	
	A	D	C				
19860102	70	∅ 20x250	60	0769 ETA-16/0550	4019346 500002	kg 0.950	20

Surface: hot-dip galvanised  
 For one-sided fixing of columns,  
 or for support of timber constructions  
 Fixing with:  
 TOP-FIX DUO screw (see page 109)

