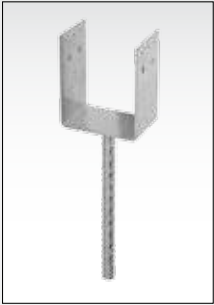


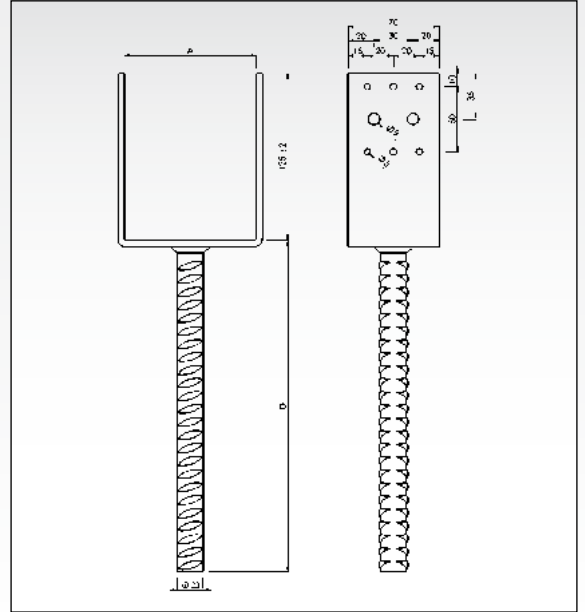
**COLUMN BASE TYPE U-70 IN CONCRETE**



| Art. No. | Dimensions [mm] |          |    | EAN     | Weight | PU |
|----------|-----------------|----------|----|---------|--------|----|
|          | A               | D        | C  |         |        |    |
| 19800301 | 81              | ∅ 20x250 | 70 | 4019346 | kg     | 15 |
| 19800302 | 91              | ∅ 20x250 | 70 | 500200  | 1.290  | 15 |
| 19800303 | 101             | ∅ 20x250 | 70 | 500217  | 1.310  | 15 |
| 19800304 | 121             | ∅ 20x250 | 70 | 500224  | 1.330  | 10 |
|          |                 |          |    | 500231  | 1.360  | 10 |

Surface: hot-dip galvanised

Fixing with: Connector nails, GH screw or TOP-FIX DUO screw



Hole pattern can vary

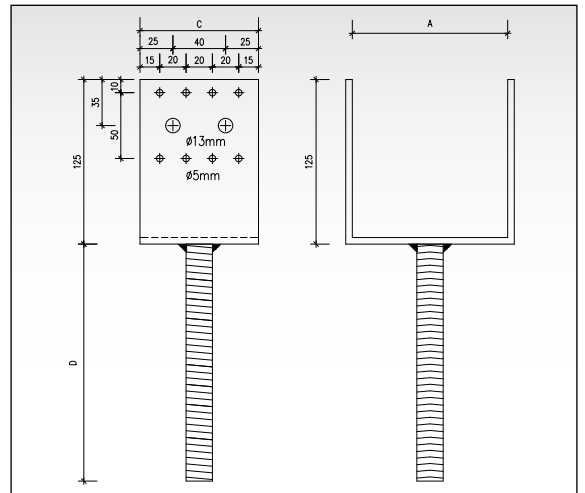
**COLUMN BASE TYPE U-90 IN CONCRETE**



| Art. No. | Dimensions [mm] |          |    | EAN     | Weight | PU |
|----------|-----------------|----------|----|---------|--------|----|
|          | A               | D        | C  |         |        |    |
| 19800305 | 91              | ∅ 20x250 | 90 | 4019346 | kg     | 10 |
| 19800306 | 101             | ∅ 20x250 | 90 | 500248  | 1.590  | 10 |
| 19800307 | 121             | ∅ 20x250 | 90 | 500255  | 1.620  | 10 |
| 19800308 | 141             | ∅ 20x250 | 90 | 500262  | 1.700  | 10 |
|          |                 |          |    | 500279  | 1.780  | 10 |

Surface: hot-dip galvanised

Fixing with: Connector nails, GH screw or TOP-FIX DUO screw



Hole pattern can vary

