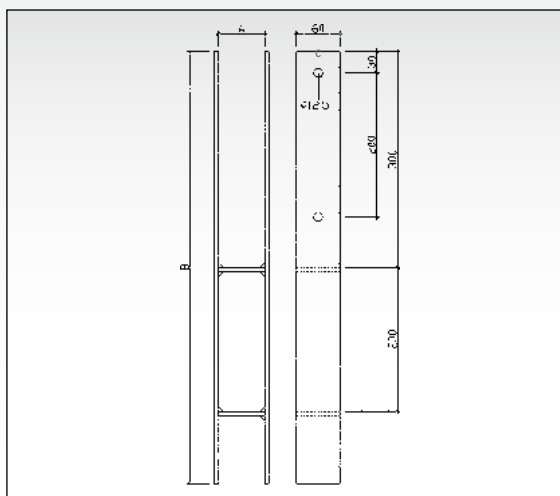


## COLUMN BASE GROUP S – TYPE H IN CONCRETE

Art. No.	Dimensions [mm]				EAN	Weight	Pallet	PU
	A	W	D	C				
19840080	71	600	5.0 - 6.0	60	4019346 515129	kg 3.800	200	1
19840090	81	600	5.0 - 6.0	60	515136	3.850	200	1
19840100	91	600	5.0 - 6.0	60	515105	3.900	200	1
19840105	95	600	5.0 - 6.0	60	515143	3.930	200	1
19840110	101	600	5.0 - 6.0	60	515112	3.960	200	1
19840111	111	600	5.0 - 6.0	60	515150	4.150	200	1
19840120	121	600	5.0 - 6.0	60	515167	4.075	200	1
19840140	141	600	5.0 - 6.0	60	515181	4.190	200	1
19841120	121	800	5.0 - 6.0	80	515082	7.000	100	1
19841140	141	800	5.0 - 6.0	80	515099	7.200	100	1

Surface: hot-dip galvanised

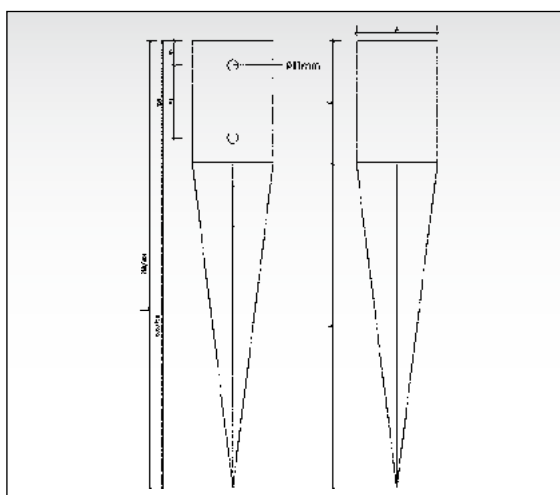


Hole pattern can vary

## COLUMN BASE GROUP S – TYPE R

Art. No.	Dimensions [mm]		EAN	Weight	Pallet	PU
	A	L				
19880271	71x71	750	4019346 515235	kg 1.460	392	1
19880291	91x91	750	515242	1.980	240	1
19880071	71x71	900	515204	1.740	377	1
19880091	91x91	900	515211	2.140	240	1
19880101	101x101	900	515228	2.820	180	1

Surface: hot-dip galvanised



Hole pattern can vary

