

COLUMN BASE TYPE U-70 IN CONCRETE – LATERALLY ADJUSTABLE



Art. No.	Dimensions [mm]			0769	EAN	Weight	PU
	A	D	C				
19850102	70 – 150	∅ 20x250	70	ETA-16/0550	4019346	kg	10
19850202	70 – 150	∅ 20x400	70	ETA-16/0550	501016	1.250	10
					003527	2.120	10

Surface: hot-dip galvanised

***Structural calculation example**

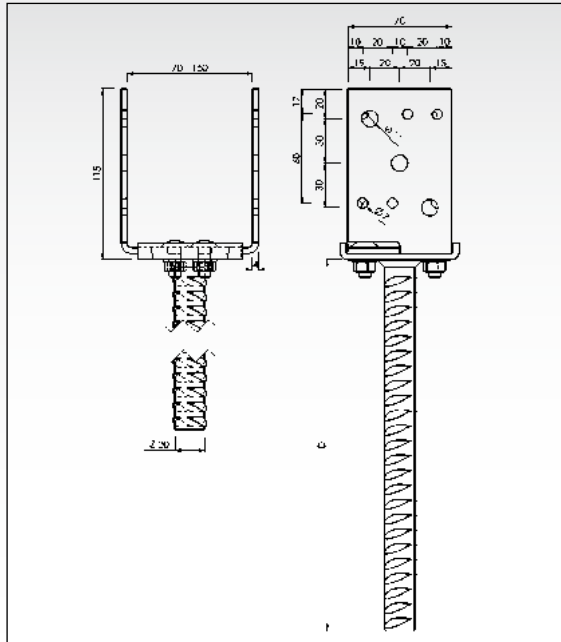
Art. No.	Post [mm]		Pressure $F_{1,Rk}$	Tension $F_{1,Rk}$	$F_{2/3,Rk}$	$F_{4/5,Rk}$
	min w	min h				
			Steel [kN]			
19850102	70 – 150	100	10.9	-	-	-
19850202	70 – 150	70	10.9	-	-	-

2 screws ∅ 10 x 50

Lateral adjustment 70 – 150 mm,
via elongated hole by means of fixing screw

Fixing with:

TOP-FIX DUO screw (see page 109)
Connector nails (see page 89)



COLUMN BASE TYPE D IN CONCRETE, HEIGHT-ADJUSTABLE



Art. No.	Dimensions [mm]			Mounting plate [mm]						0769	EAN	Weight	Pallet	PU
	Pin	D	∅ 9	L	x	W	x	D	∅ 11					
19621080	M22x240	∅ 22x500	1	80	x	80	x	6	4	ETA-16/0550	4019346	kg	200	10
19621100	M22x240	∅ 22x500	1	100	x	100	x	6	4	ETA-16/0550	510025	1.630	200	10
											510032	1.750	200	10

Surface: galvanised
Nut welded onto mounting plate

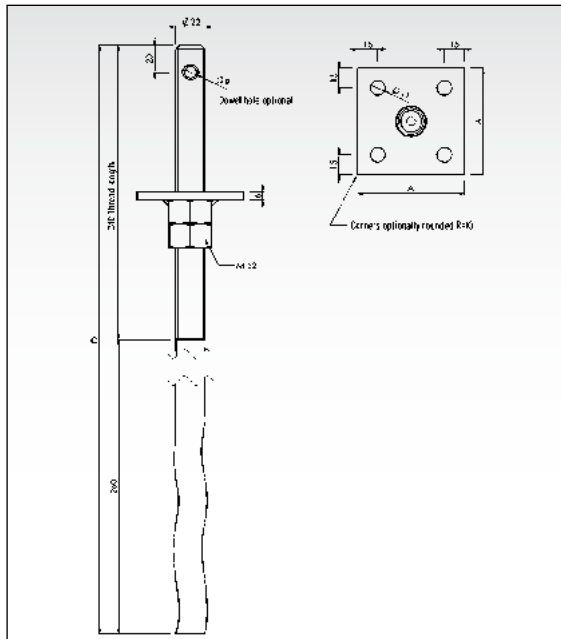
***Structural calculation example**

Art. No.	Post [mm]		Pressure $F_{1,Rk}$	Tension $F_{1,Rk}$	$F_{2/3,Rk}$	$F_{4/5,Rk}$
	min w	min h				
			Steel [kN]			
19621080	100	100	41.0	12.6	1.53	1.53
19621100	120	120	41.0	11.2	1.53	1.53

2 screws ∅ 12 x 120 h = 180 mm

Fixing with:

Dowel ∅ 8.0 mm (see page 91)
TOP-FIX DUO screw (see page 109)



*The load bearing capacities are only indicative.
Detailed structural information is provided on our website at: www.holzverbinder.de

