

COLUMN BASE TYPE P ON CONCRETE



Art. No.	Dimensions [mm]			Mounting plate [mm]			Baseplate [mm]					EAN	Weight	PU			
	D	x	H	A	x	A	∅ 11	L	x	W	x				D	∅ 13	
19832060	∅ 48.3	x	60	100	x	100	4	130	x	130	x	6	4	ETA-16/0550	4019346	kg	10
19832100	∅ 48.3	x	100	100	x	100	4	130	x	130	x	6	4	ETA-16/0550	510216	1.540	10
19832150	∅ 48.3	x	150	100	x	100	4	130	x	130	x	6	4	ETA-16/0550	510223	1.610	10

Surface: hot-dip galvanised

Fixing with:

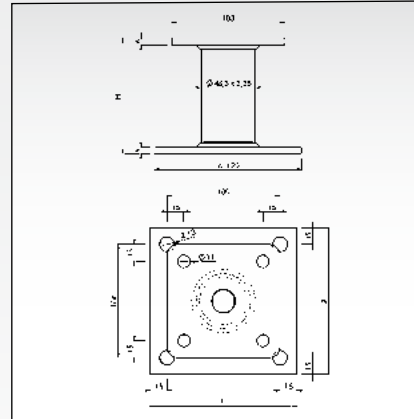
TOP-FIX DUO screw (see page 109)



*Structural calculation example

Art. No.	Post [mm]		Pressure $F_{1,Rk}$	Tension $F_{1,Rk}$	$F_{2/3,Rk}$	$F_{4/5,Rk}$
	min w	min h				
19832060	120	120	93.4	10.6	7.71	7.71
19832100	120	120	93.4	10.6	4.53	4.53
19832150	120	120	93.4	10.6	2.99	2.99

4 screws ∅ 10 x 120



COLUMN BASE TYPE D EXTRA STRONG ON CONCRETE



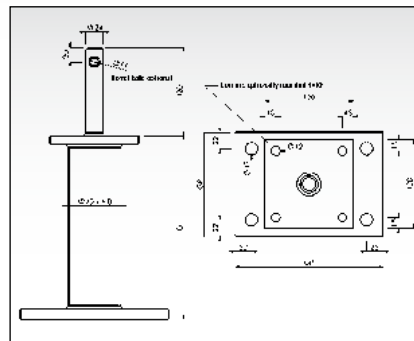
ETA-16/0550

Art. No.	Dimensions [mm]			Mounting plate [mm]			Baseplate [mm]					EAN	Weight	PU				
	Pin	D	∅ 11	L	x	W	x	D	∅ 12	L	x				W	x	D	∅ 17
19813210	∅ 24x120	∅ 70x250	1	120	x	120	x	12	4	200	x	140	x	15	4	003565	7.190	1

Surface: hot-dip galvanised

*Structural calculation example

Art. No.	Post [mm]		Pressure $F_{1,Rk}$	Tension $F_{1,Rk}$	$F_{2/3,Rk}$	$F_{4/5,Rk}$
	min w	min h				
19813210	140	140	200.0	53.3	18.4	12.0



COLUMN BASE TYPE T05 EXTRA STRONG ON CONCRETE



ETA-16/0550

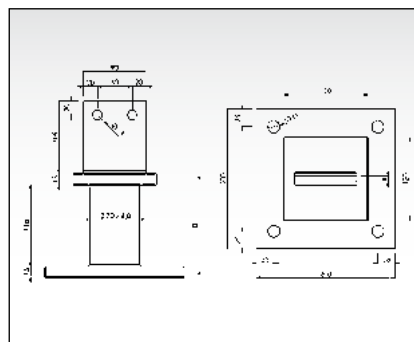
Art. No.	Dimensions [mm]					Mounting plate [mm]			Baseplate [mm]					EAN	Weight	PU						
	A	x	W	x	∅ 13	D	A	x	A	x	D	L	x				W	x	D	∅ 17		
19812210	90	x	105	x	8	2	∅ 70x148	120	x	120	x	15	200	x	200	x	15	4	4019346	505717	8.050	1

Surface: hot-dip galvanised

*Structural calculation example

Art. No.	Post [mm]		Pressure $F_{1,Rk}$	Tension $F_{1,Rk}$	$F_{2/3,Rk}$	$F_{4/5,Rk}$
	min w	min h				
19812210	140	140	283.0	36.4	19.8	9.77

2 dowels ∅ 12



*The load bearing capacities are only indicative. Detailed structural information is provided on our website at: www.holzverbinder.de



Type P / T05



Type P / T05