

COLUMN BASE TYPE T01 ON CONCRETE

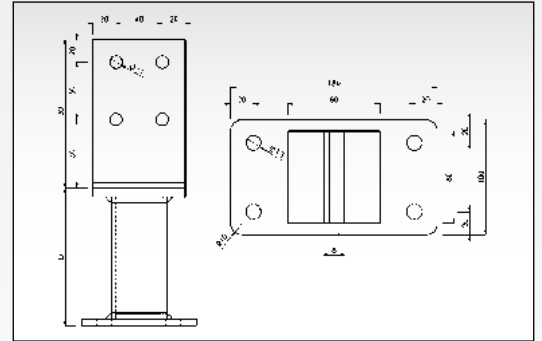


Art. No.	Dimensions [mm]					Mounting plate [mm]			Baseplate [mm]				EAN	Weight kg	PU
	A x W x T	D	x	H	Ø 11	A	x	A	L	x	W	Ø 13			
19812301	80x130x8	Ø 48.3	x	70	4	80	x	80	180	x	100	4	4019346	2.000	10
19812302	80x130x8	Ø 48.3	x	120	4	80	x	80	180	x	100	4	505083	2.100	10
19812303	80x130x8	Ø 48.3	x	200	4	80	x	80	180	x	100	4	505090	2.300	10
19812638	80x130x8	Ø 48.3	x	250	4	80	x	80	180	x	100	4	505113	2.500	10
19812639	80x130x8	Ø 48.3	x	300	4	80	x	80	180	x	100	4	003541	2.600	10

Surface: Hot-dip galvanised, fixing with: Dowel Ø 10.0 mm (see page 91)

*Structural calculation example

Art. No.	Post [mm]		Pressure $F_{1,Rk}$	Tension $F_{1,Rk}$	$F_{2/3,Rk}$	$F_{4/5,Rk}$
	min w	min h				
	Steel [kN]					
19812301	100	100	108.0	6.88	1.87	4.61
19812302	100	100	108.0	6.88	1.45	3.05
19812303	100	100	108.0	6.88	1.07	1.98
19812638	100	100	108.0	6.88	0.92	1.61
19812639	100	100	108.0	6.88	0.81	1.36



4 dowels Ø 10



COLUMN BASE TYPE D ON CONCRETE

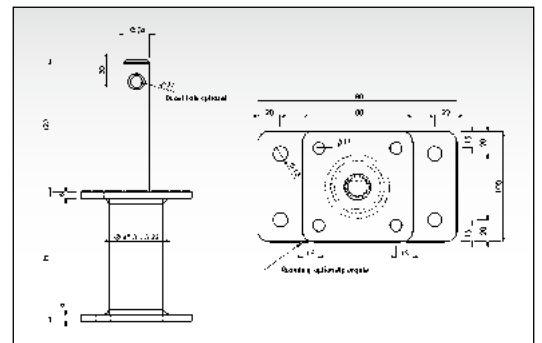


Art. No.	Dimensions [mm]					Mounting plate [mm]				Baseplate [mm]				EAN	Weight kg	PU			
	Pin	D	x	H	Ø 11	A	x	A	x	D	L	x	W				x	D	Ø 13
19823065	Ø 24x120	Ø 48.3	x	70	1	100	x	100	x	6	180	x	100	x	6	4	011935	1.950	10
19823120	Ø 24x120	Ø 48.3	x	120	1	100	x	100	x	6	180	x	100	x	6	4	011928	2.200	10
19823150	Ø 24x120	Ø 48.3	x	150	1	100	x	100	x	6	180	x	100	x	6	4	011201	2.300	10
19823200	Ø 24x120	Ø 48.3	x	200	1	100	x	100	x	6	180	x	100	x	6	4	011218	2.500	10
19823250	Ø 24x120	Ø 48.3	x	250	1	100	x	100	x	6	180	x	100	x	6	4	011225	2.700	10
19823300	Ø 24x120	Ø 48.3	x	300	1	100	x	100	x	6	180	x	100	x	6	4	011232	2.900	10

Surface: Hot-dip galvanised, fixing with: Dowel Ø 10.0 mm (see page 91)

*Structural calculation example

Art. No.	Post [mm]		Pressure $F_{1,Rk}$	Tension $F_{1,Rk}$	$F_{2/3,Rk}$	$F_{4/5,Rk}$
	min w	min h				
	Steel [kN]					
19823065	120	120	138.0	6.88	6.61	5.09
19823120	120	120	138.0	6.88	3.71	2.86
19823150	120	120	138.0	6.88	2.94	2.26
19823200	120	120	138.0	6.88	2.18	1.68
19823250	120	120	138.0	6.88	1.73	1.33
19823300	120	120	138.0	6.88	1.44	1.11



4 screws Ø 10 x 120



DRILLING TEMPLATE TYPE T (FOR FIN 80 x 130)



Art. No.	Description	EAN	Weight kg	PU
33000115	Drilling template Type T	4019346	1.38	1

Suitable for all GH column bases Type T with fin 80 x 130 mm



*The load bearing capacities are only indicative. Detailed structural information is provided on our website at: www.holzverbinder.de