

COLUMN BASE TYPE P ON CONCRETE / HEIGHT-ADJUSTABLE



ETA-16/0550



| Art. No. | Dimensions [mm] | | Mounting plate [mm] | | | | Baseplate [mm] | | | | EAN | Weight | PU | | | | |
|----------|-----------------|--|---------------------|---|----|---|----------------|-----|-----|---|-----|--------|----|--------|---------|----|------|
| | D | | A | x | A | x | D | Ø 9 | L | x | | | | W | x | D | Ø 11 |
| 19533070 | M20x150-200 | | 80 | x | 70 | x | 5 | 4 | 150 | x | 70 | x | 5 | 4 | 4019346 | kg | 10 |
| | | | | | | | | | | | | | | 501221 | 1.260 | 10 | |

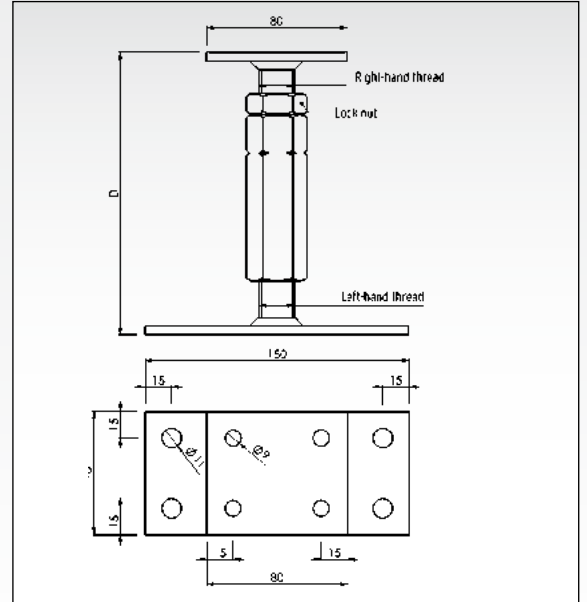
Surface: Galvanised, in installed condition, height adjustable from 150 – 200 mm

Fixing with: TOP-FIX DUO screw (see page 109)

*Structural calculation example

| Art. No. | Post [mm] | | Pressure $F_{1,Rk}$ | Tension $F_{1,Rk}$ | $F_{2/3,Rk}$ | $F_{4/5,Rk}$ |
|----------|-----------|-------|---------------------|--------------------|--------------|--------------|
| | min w | min h | | | | |
| 19533070 | 100 | 90 | 33.2 | 3.84 | 1.05 | 0.81 |

4 screws Ø 8 x 70



COLUMN BASE TYPE P 24 ON CONCRETE / HEIGHT-ADJUSTABLE



ETA-16/0550



| Art. No. | Dimensions [mm] | | Mounting plate [mm] | | | | Baseplate [mm] | | | | EAN | Weight | PU | | | | |
|----------|-----------------|--|---------------------|---|-----|---|----------------|------|-----|---|-----|--------|----|--------|---------|----|------|
| | D | | A | x | A | x | D | Ø 11 | L | x | | | | W | x | D | Ø 13 |
| 19533101 | M24x150-200 | | 100 | x | 100 | x | 6 | 4 | 180 | x | 100 | x | 6 | 4 | 4019346 | kg | 10 |
| | | | | | | | | | | | | | | 011249 | 2.940 | 10 | |

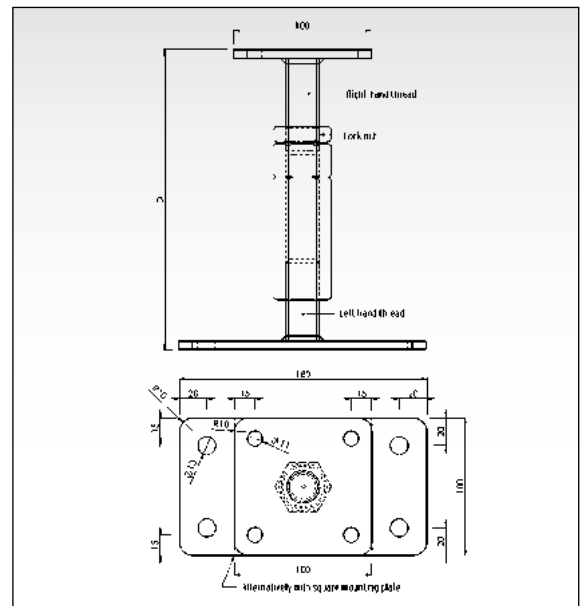
Surface: Galvanised, in installed condition, height adjustable from 150 – 200 mm

Fixing with: TOP-FIX DUO screw (see page 109)

*Structural calculation example

| Art. No. | Post [mm] | | Pressure $F_{1,Rk}$ | Tension $F_{1,Rk}$ | $F_{2/3,Rk}$ | $F_{4/5,Rk}$ |
|----------|-----------|-------|---------------------|--------------------|--------------|--------------|
| | min w | min h | | | | |
| 19533101 | 120 | 120 | 70.3 | 6.66 | 1.87 | 1.87 |

4 screws Ø 10 x 120



*The load bearing capacities are only indicative. Detailed structural information is provided on our website at: www.holzverbinder.de