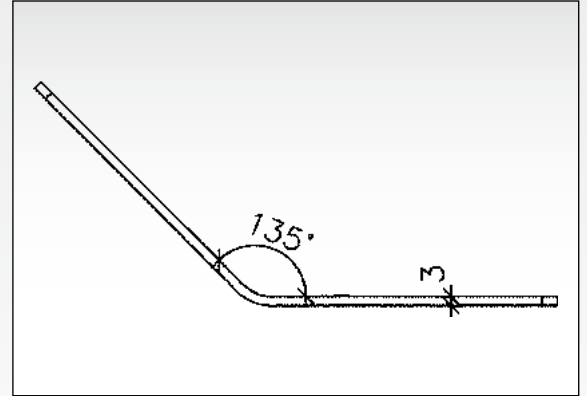
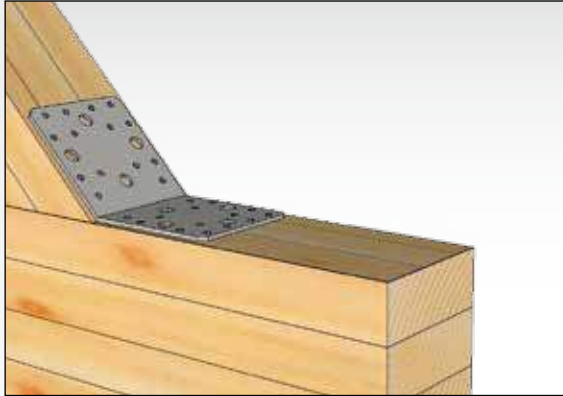


## STRUT CONNECTOR WITH 135°



Art. No.	Dimensions [mm]							n <sup>1</sup>				n <sup>2</sup>				0769	EAN	Weight	Pallet	PU
	H	x	L	x	W	x	D	Ø 5	Ø 7	Ø 11	Ø 13									
1867	90	x	90	x	65	x	2.5	20	8	2	-	ETA-09/0322				130124	0.190	4500	100	
2197	100	x	100	x	90	x	3.0	28	-	6	2	ETA-09/0322				130131	0.352	2400	40	

n<sup>1</sup> = Number of holes, timber | n<sup>2</sup> = Number of holes, concrete

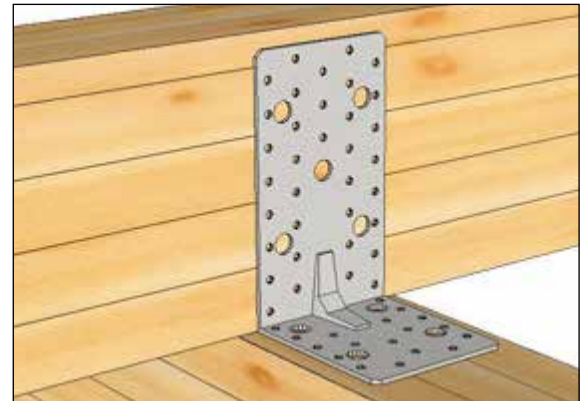
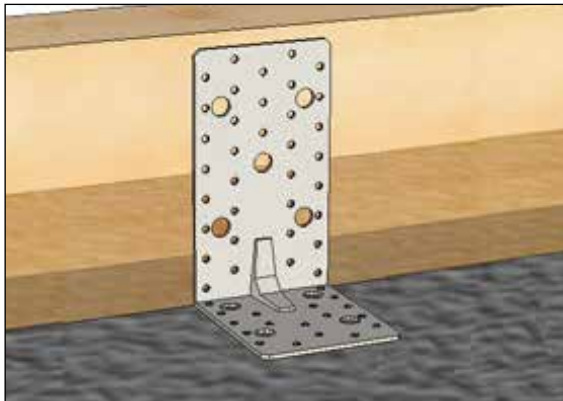


## ANGLE BRACKET 110/170 S



Art. No.	Dimensions [mm]							n <sup>1</sup>		n <sup>2</sup>		0769	EAN	Weight	Pallet	PU
	H	x	L	x	W	x	D	Ø 5	Ø 13							
110170L	170	x	110	x	95	x	3.0	53	9	ETA-09/0322		215593	0.556	1500	25	

n<sup>1</sup> = Number of holes, timber | n<sup>2</sup> = Number of holes, concrete



This unequal leg, 3 mm thick angle bracket with 9 x Ø 13 mm holes, can be used for very universal purposes with higher loads, e.g. to secure high sills or thresholds. The angle is also excellently suited to absorbing F2 and F3 loads.

Standard connections such as post/column, side rail/column, wall plate/concrete, etc.

### Types of joint:

- Timber-to-timber
- Timber-to-concrete, masonry
- Timber-to-steel
- Timber-to-Halfen cast-in channels

For fixing with GH connector nails (page 89), GH screws (page 90).

