

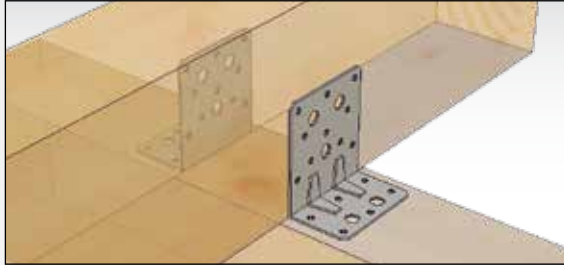
ANGLE BRACKET TYPE 50 / TYPE 80



TYPE 50 / TYPE 80

Art. No.	Type	Dimensions [mm]							n ¹		n ²		0769	EAN	Weight	Pallet	PU
		H	x	L	x	W	x	D	Ø 5	Ø 13	0769	4019346					
595	Type 50	90	x	50	x	50	x	3.0	10	3	ETA-09/0322	110096	0.144	6000	100		
598	Type 80	90	x	50	x	80	x	3.0	16	5	ETA-09/0322	110300	0.231	3000	100		

n¹ = Number of holes, timber | n² = Number of holes, concrete



GH angle brackets Type 50 and Type 80 are strong unequal leg angle connector.

For fixing with GH connector nails (page 89), GH screws (page 90).

Made of hot-dip galvanised steel sheet t = 3 mm.

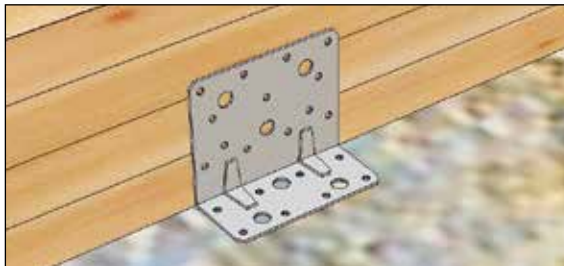
ANGLE BRACKET TYPE 110



TYPE 110

Art. No.	Type	Dimensions [mm]							n ¹		n ²		0769	EAN	Weight	Pallet	PU
		H	x	L	x	W	x	D	Ø 5	Ø 13	0769	4019346					
5911	Type 110	90	x	50	x	110	x	3.0	21	6	ETA-09/0322	110317	0.317	1500	50		
59114	D-plate	-	-	40	x	43	x	10.0	-	Ø 14	-	217740	0.110	-	50		

n¹ = Number of holes, timber | n² = Number of holes, concrete



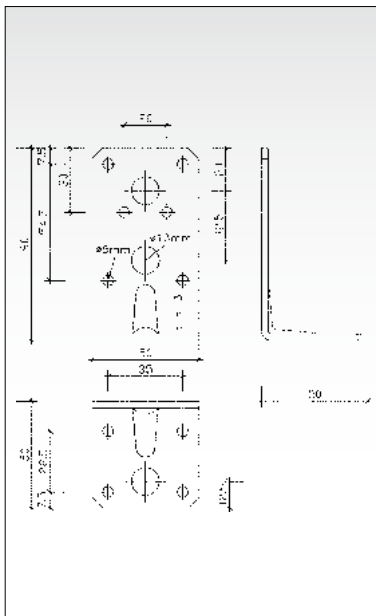
The GH angle bracket Type 110 is a strong unequal leg angle connector. Even higher loads can be absorbed by using an additional washer.

For fixing with GH connector nails (page 89), GH screws (page 90).

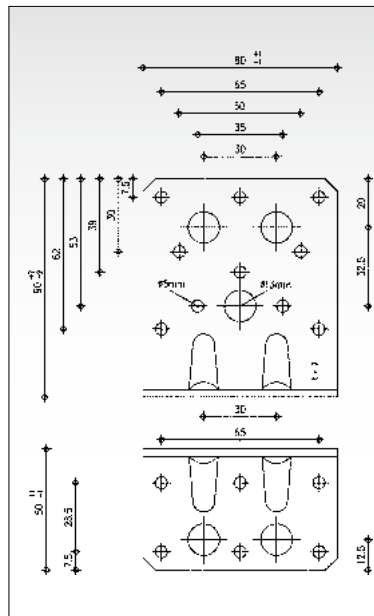
Made of hot-dip galvanised steel sheet t = 3 mm.



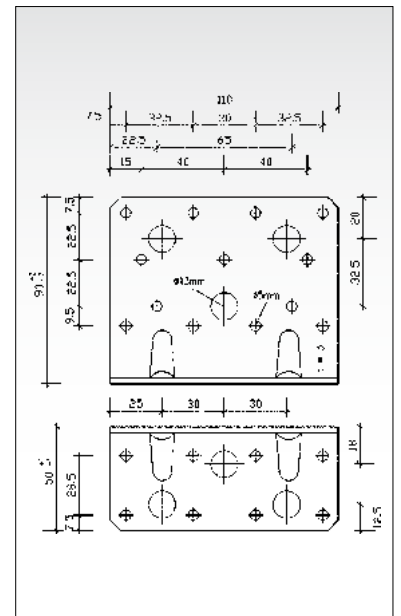
Washer



Type 50



Type 80



Type 110

