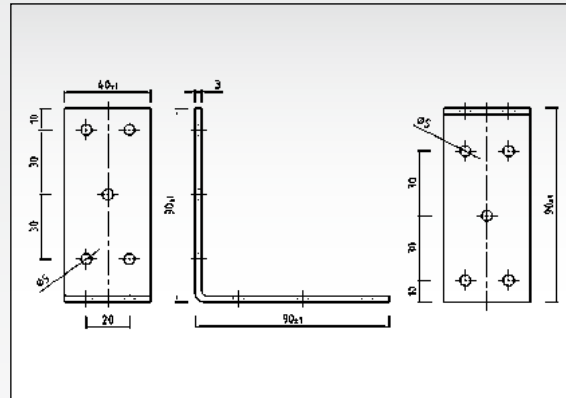
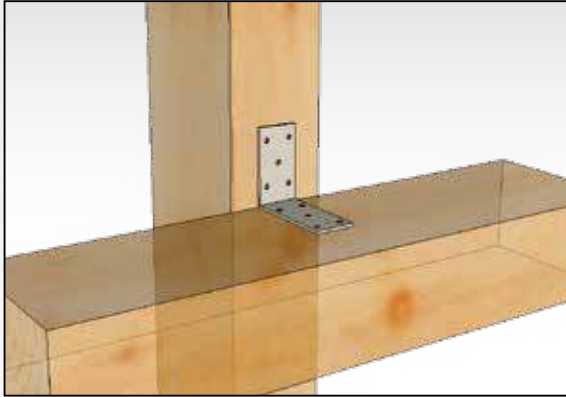


## ANGLE BRACKET TYPE 40 / 90



Art. No.	Dimensions [mm]							n <sup>1</sup>	0769	EAN	Weight	Pallet	PU
	H	x	L	x	W	x	D						
994	90	x	90	x	40	x	3.0	10	ETA-09/0322	4019346	kg	5100	100

n<sup>1</sup> = number of holes, timber



The GH angle bracket Type 40 / 95 is a strong equal leg angle connector.

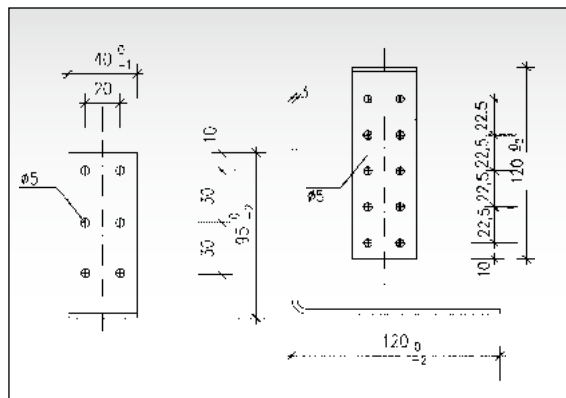
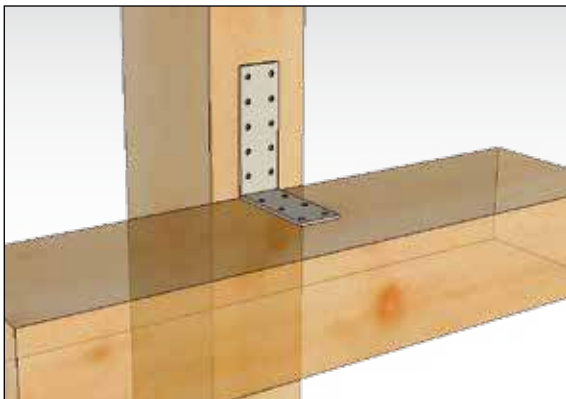
It is used wherever the requirements for the force to be connected are not very high. E.g. purlins on glulam beams, side rails on columns, etc. We recommend installing 2 angle connectors for each joint. For fixing with GH connector nails (page 89), GH screws (page 90).

## ANGLE BRACKET TYPE 40 / 120



Art. No.	Dimensions [mm]							n <sup>1</sup>	0769	EAN	Weight	Pallet	PU
	H	x	L	x	W	x	D						
1293	120	x	95	x	40	x	3.0	16	ETA-09/0322	4019346	kg	5100	100

n<sup>1</sup> = number of holes, timber



The GH angle bracket Type 40 / 120 is a strong unequal leg angle connector. The area of application is where the requirements regarding the force to be connected are not very high.

E.g. purlins on glulam beams.

In truss structures, post joint on the wall plate, etc.

For fixing with GH connector nails (page 89), GH screws (page 90).  
Made of hot-dip galvanised steel sheet t = 3 mm.

