

## ANGLE BRACKET TYPE RL



Art. No.	Dimensions [mm]							n <sup>1</sup> ∅ 5	n <sup>2</sup> ∅	LL	0769	EAN	Weight kg	Pallet	PU	
	H	x	L	x	W	x	D									
16910	90	x	60	x	60	x	2.5	9	1x10	5x30	ETA-09/0322	4019346	110362	0.154	4800	100
16913	90	x	60	x	60	x	2.5	9	1x12	5x30	ETA-09/0322	4019346	110379	0.154	4800	100

n<sup>1</sup> = Number of holes, timber | n<sup>2</sup> = Number of holes, concrete

## ANGLE BRACKET TYPE LL



Art. No.	Dimensions [mm]							n <sup>1</sup> ∅ 5	n <sup>2</sup> LL	LL	0769	EAN	Weight kg	Pallet	PU	
	H	x	L	x	W	x	D									
26910	90	x	60	x	60	x	2.5	9	10x28	5x28	ETA-09/0322	4019346	110386	0.154	4800	100
26913	90	x	60	x	60	x	2.5	9	13x28	5x28	ETA-09/0322	4019346	110393	0.154	4800	100

n<sup>1</sup> = Number of holes, timber | n<sup>2</sup> = Number of holes, concrete

## ANGLE BRACKET TYPE LLG



Art. No.	Dimensions [mm]							n <sup>1</sup> ∅ 5	n <sup>2</sup> LL	n <sup>3</sup> LL	0769	EAN	Weight kg	Pallet	PU	
	H	x	L	x	W	x	D									
3691015	90	x	60	x	60	x	1.5	11	10.5x28	10x30	ETA-09/0322	4019346	111505	0.093	4800	100
3691025	90	x	60	x	60	x	2.5	11	10.5x28	10x30	ETA-09/0322	4019346	111512	0.154	4800	100

n<sup>1</sup> = Number of holes, timber | n<sup>2</sup> = Number of holes, concrete

These GH angle brackets are primarily suitable for securing the bearing of columns on concrete slabs, steel girders and timber sills.

They can also be used for reliably securing rafter bearings on trusses. The advantage of the angle connector with elongated hole is that it allows greater variability of use in the area of the joint, as is often necessary, for example, if the dowel could not be attached in the element with precise fit.

The elongated hole nevertheless ensures optimum seating of the angle connector. The elongated hole is also advantageous when used in conjunction with Halfen cast-in channels.

To be fixed with GH connector nails (page 89), GH screws (page 90). Made of hot-dip galvanised steel sheet.



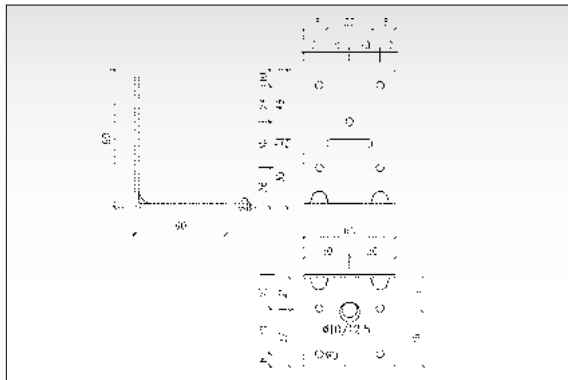
TYPE RL



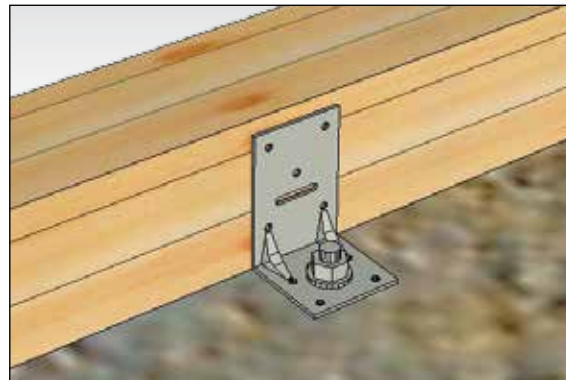
TYPE LL



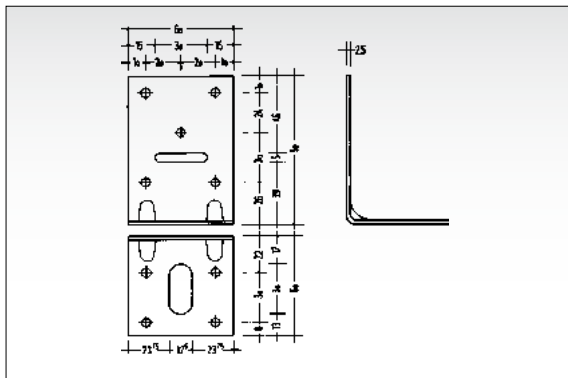
TYPE LLG



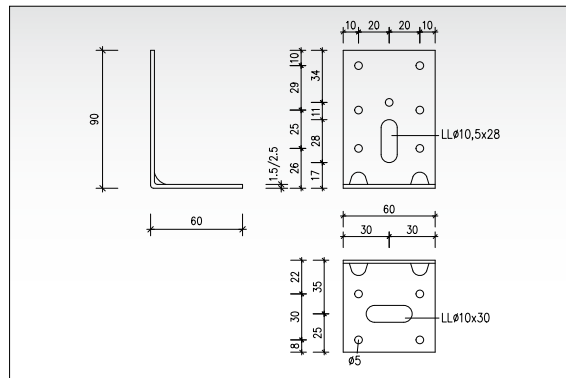
TYPE RL



TYPE LLG



TYPE LL



TYPE LLG

