

TOP 80 / TOP 120 VARIO CONNECTORS

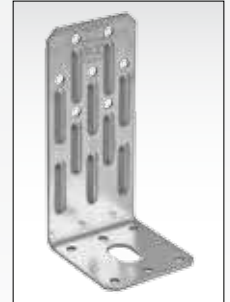


Art. No.	Dimensions [mm]							n ¹ Ø 5	n ² Ø 13.5	0769	EAN	Weight kg	Pallet	PU
	H	x	L	x	W	x	D							
110829	80	x	60	x	55	x	2.0	13	L=21.0	ETA-09/0322	110829	0.115	6000	100
110836	120	x	60	x	55	x	2.0	13	L=21.0	ETA-09/0322	110836	0.150	6000	100

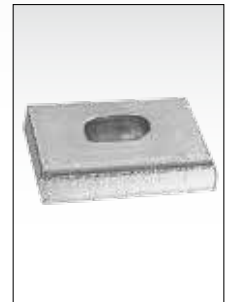
n¹ = Number of holes, timber | n² = Number of holes, concrete



TOP 80 Vario



TOP 120 Vario



Washer 56x50x10

WASHER FOR TOP 80 / TOP 120 VARIO CONNECTORS

Art. No.	Dimensions [mm]					n ² Ø 11.5	n ² Ø 13.5	EAN	Weight kg	Pallet	PU	
	L	x	W	x	D							
111314	56	x	50	x	10.0	L=22	-	for M10	111314	0.198	1100	50
111307	56	x	50	x	10.0	-	L=26	for M12	111307	0.193	1100	50

n² = hole, concrete



The GH TOP VARIO connectors have been especially developed for the following areas of use:

1. Wall plate on concrete (tension + compression)
2. Column on concrete (pressure only).

No disrupting middle gusset during installation.

Full nailing always possible.

High degree of stability due to special beads, positioned so as not to get in the way.

No nail too many – optimum matching of the angle.

No fixing in the edge zone due to optimum hole pattern.

Summarising:

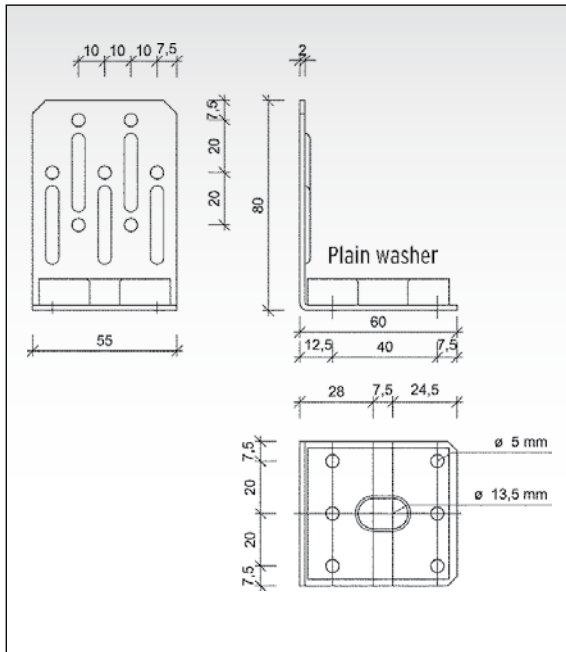
The special connector for concrete joints under tensile loading!

The engineering:

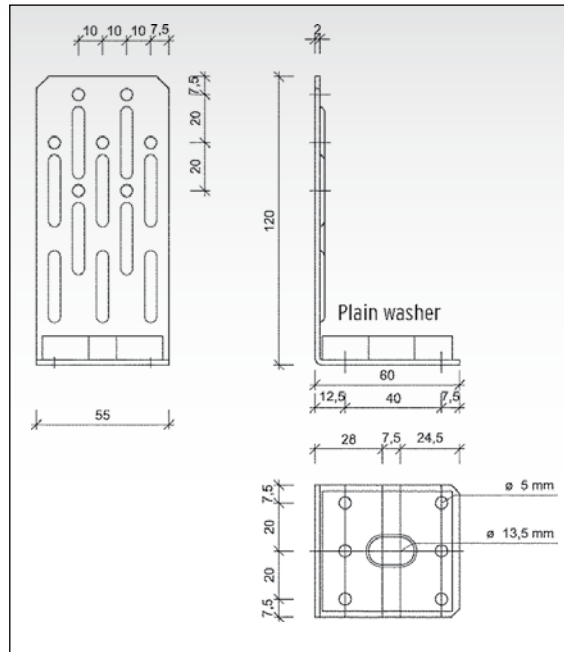
Planned force dissipation through optimum deforming technology/beading = increase in stability.

Matching of the geometry/number of nails/thickness of the plain washer and dowel load-bearing capacity.

For timber-to-timber connections, see Top 80 / Top 120 (page 35).



TOP 80 Vario



TOP 120 Vario

