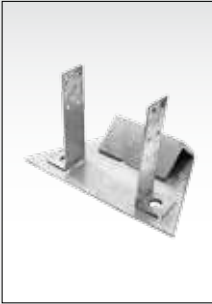
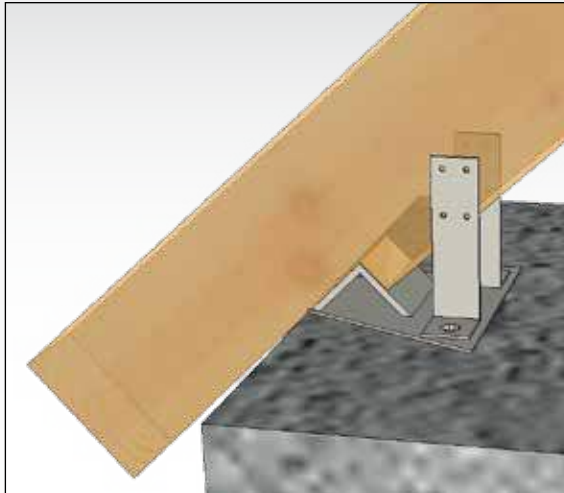


TRUSS clips TYPE B (CONCRETE)

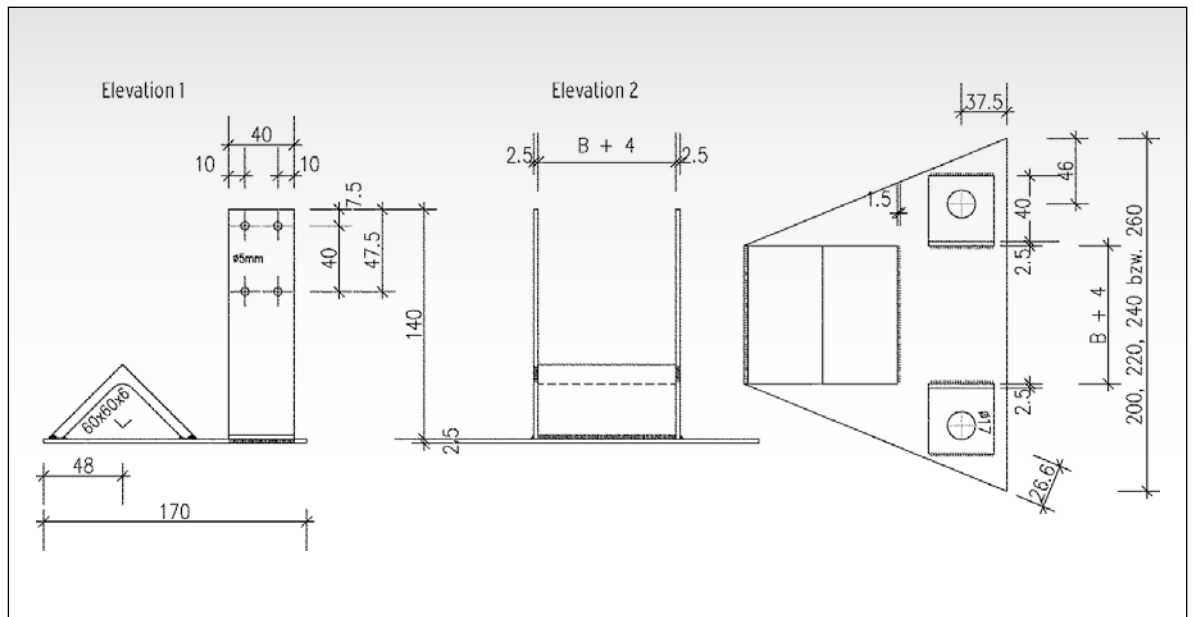


Art. No.	Dimensions [mm]					n ¹	n ²	ETA application submitted	EAN	Weight	Pallet	PU
	W	x	L	x	D							
21100	60	x	170	x	2.5	8	2	ETA application submitted	155080	1.020	360	15
21101	80	x	170	x	2.5	8	2	ETA application submitted	155035	1.200	360	15
21102	100	x	170	x	2.5	8	2	ETA application submitted	155042	1.350	360	15
21103	120	x	170	x	2.5	8	2	ETA application submitted	155066	1.500	240	10

n¹ = number of holes timber | n² = number of holes concrete
Hot-dip galvanised surface.



GH truss clips Type B are suitable as the abutment of rafters on concrete. The connection between the concrete and the GH truss clip is made by 2 concrete screws M 16 or expanding anchors, chemical anchor studs, or similar.



For fixing with GH connector nails (page 89), GH screws (page 90).
Made of sheet steel t = 2.5 mm and angle section 60 x 60 x 6.0 mm.

