

**WIDTH ADJUSTABLE JOIST HANGER TYPE 2 (2-PIECE)**



Art. No.	Dimensions [mm]					n <sup>1</sup>	EAN	Weight	Pallet	PU	
	H	x	W	x	D						
812	120	x	180	x	2.0	4x5	ETA application submitted	032626	0.460	600	25
814	140	x	180	x	2.0	4x6	ETA application submitted	032633	0.520	600	25
816	160	x	180	x	2.0	4x7	ETA application submitted	032640	0.640	600	25
818	180	x	180	x	2.0	4x7	ETA application submitted	032657	0.700	600	25
820	200	x	180	x	2.0	4x8	ETA application submitted	032664	0.760	600	25

n<sup>1</sup> = number of holes, timber

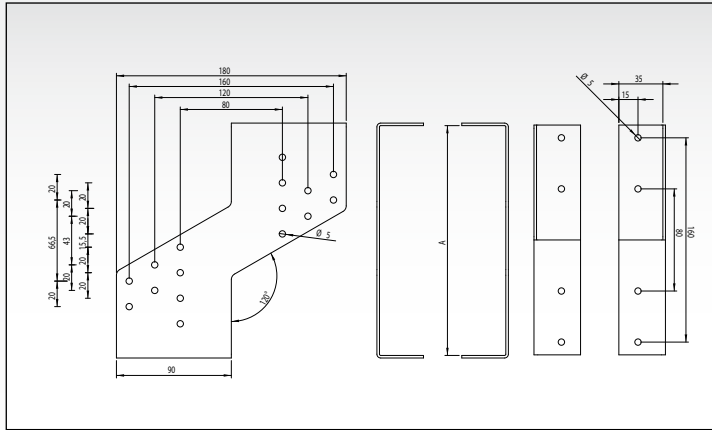


Figure by way of example

GH width-adjustable joist hangers, Type 2 (2-piece) are used for simple formation of a joint of hinged ridge purlins in the point of zero moment.

Both timber members are cut straight.

For fixing with GH connector nails (page 89).

GH screws (page 90).

Made of hot-dip galvanised steel sheet t = 2 mm.

**PURLIN CLEAT**



Art. No.	Dimensions [mm]				n <sup>1</sup>	EAN	Weight	Pallet	PU	
	H	x	W	B1						
20501	90	x	45	78	4x4	ETA application submitted	170007	0.180	2040	40
20502	130	x	75	108	4x5	ETA application submitted	170014	0.410	1200	40
20503	170	x	85	122	4x6	ETA application submitted	170021	0.550	840	20
20504	210	x	95	138	4x10	ETA application submitted	170038	1.000	600	20
20505	250	x	150	178	4x10	ETA application submitted	170045	1.500	320	20

n<sup>1</sup> = number of holes, timber

GH purlin cleats are connects with very good load-bearing capacities and are particularly suitable for fixing rafter-supporting purlins at risk of tilting on steep trusses against lifting and tilting.

For fixing with GH connector nails (page 89), GH screws (page 90).

Made of hot-dip galvanised steel sheet t = 2 mm.

