



GH - Flat connector

Characteristic load-carrying capacity (resistance) and design value of the load-carrying capacity (resistance) ("short-term") in kN,

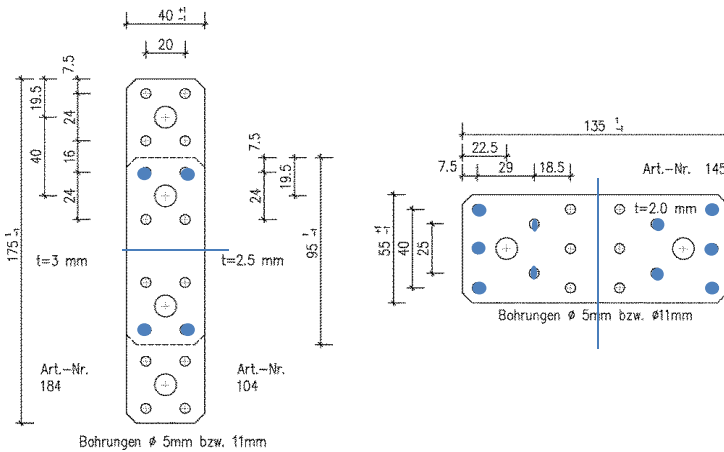
Purlin joint F₁ for one connector

Art. No.	Number of nails per connector	LDC	Fasteners		
			4.0x40	4.0x50	4.0x60
104 / 184	2	char.	3,70	4,43	4,73
		short-term	2,56	3,07	3,27
184 / 145 / 1865 / 2190	4	char.	7,41	8,86	9,46
		short-term	5,13	6,13	6,55
145	5	char.	9,39	11,1	11,8
		short-term	6,50	7,66	8,18
1865 / 2190	6	char.	11,1	13,3	14,2
		short-term	7,69	9,20	9,82
	8	char.	14,8	17,7	18,9
		short-term	10,3	12,3	13,1
2190	10	char.	18,5	22,1	23,6
		short-term	12,8	15,3	16,4
	12	char.	22,2	26,6	28,4
		short-term	15,4	18,4	19,6

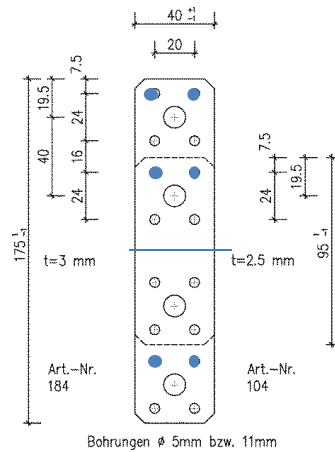
Holes usable for nailing for purlin joint ($a_{4,t} = 28 \text{ mm}$), in some cases several options for arranging the fasteners.

The member joint is in the middle of the connector.

Purlin joint 104 and 145

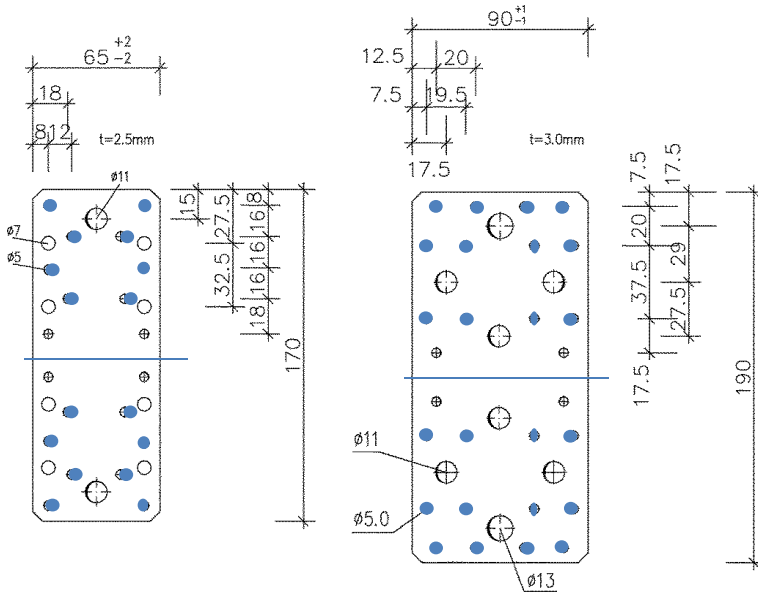


Purlin joint 184

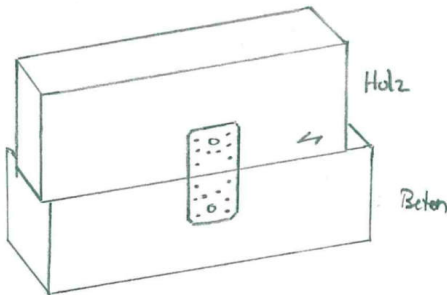




Purlin joint, 1865 and 2190



Application example similar to end-grain joint or purlin joint on concrete



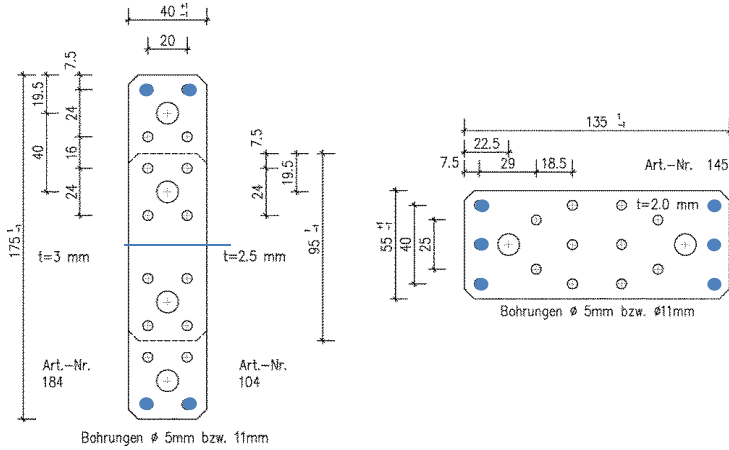
End-grain joint F₁ for one connector

Art. No.	Number of nails	LDC	Fasteners		
			4.0x40	4.0x50	4.0x60
184 / 145 / 1865	2	char.	3,75	4,43	4,73
		short-term	2,60	3,07	3,27
145	3	char.	5,63	6,64	7,09
		short-term	3,90	4,60	4,91
1865	2	char.	3,75	4,43	4,73
		short-term	2,60	3,07	3,27
2190	2	char.	3,75	4,43	4,73
		short-term	2,60	3,07	3,27
	4	char.	7,51	8,86	9,46
		short-term	5,20	6,13	6,55

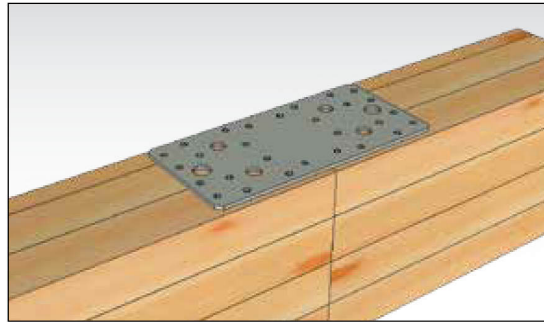


Holes usable for nailing for tension joint ($a_{3,t} = 60 \text{ mm}$), in some cases several options for arranging the fasteners.
The member joint is in the middle of the connector (see application diagram)

End-grain joint, butt joint



Application example



End-grain joint, butt joint

